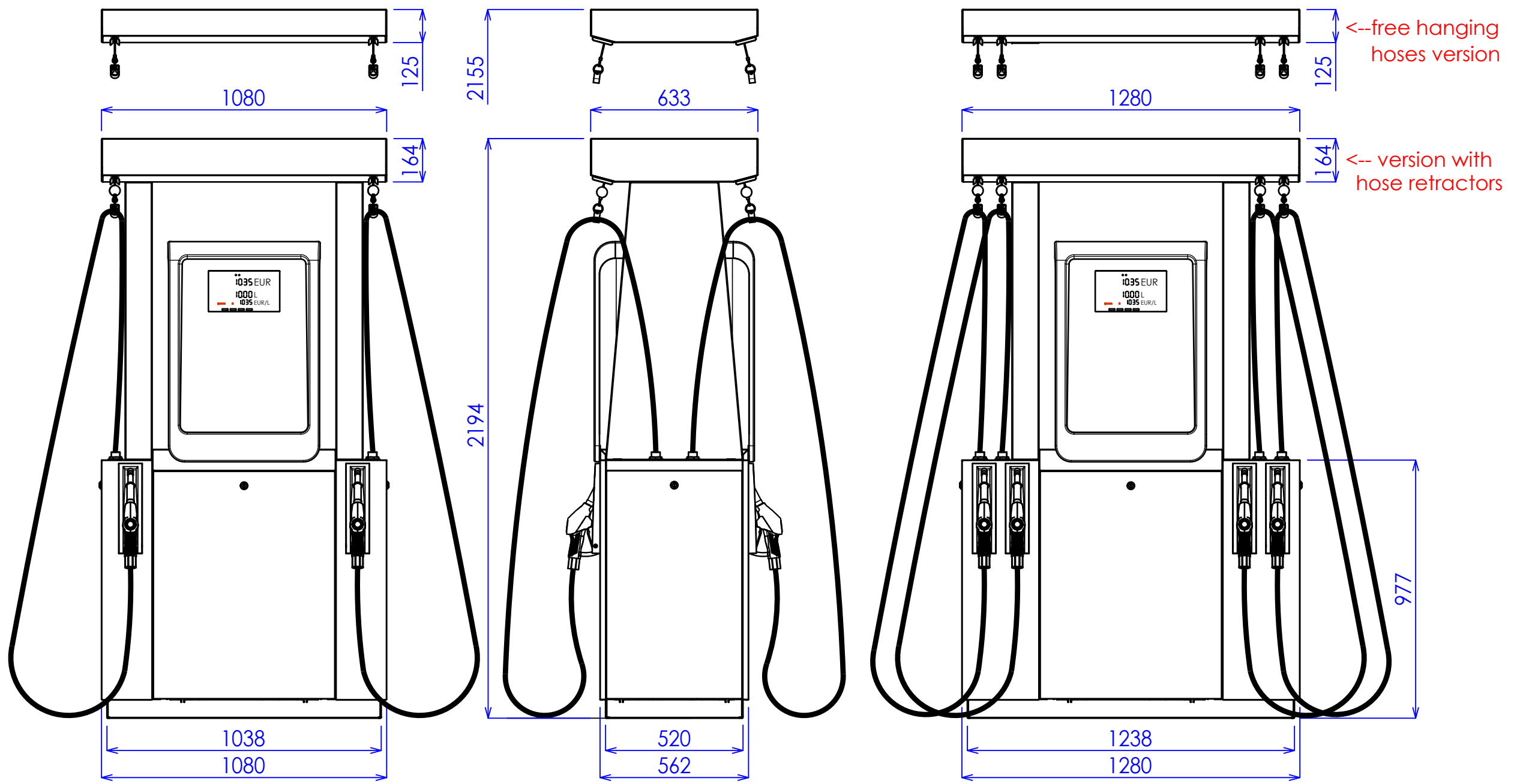


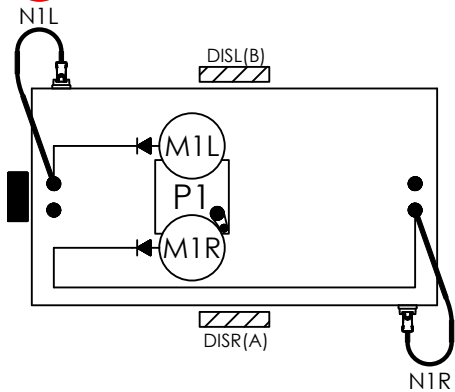
OCEAN HERO Basic Configurations (16.8.2022)

Narrow version

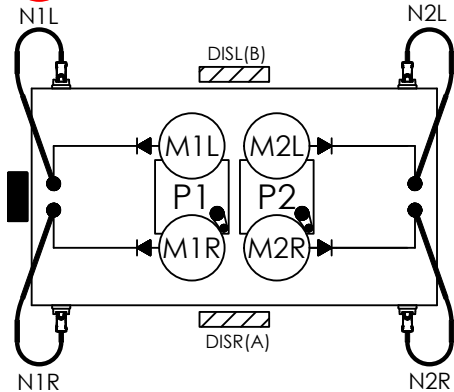
Wide version



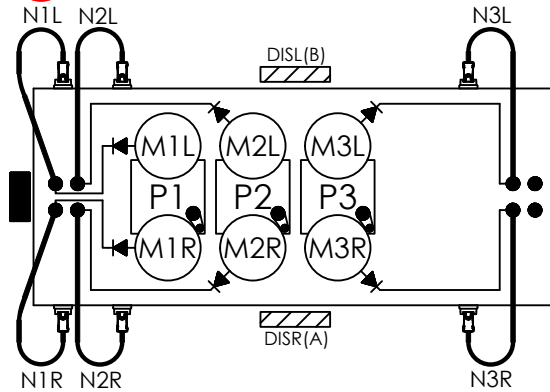
1 BMP4012.OHD



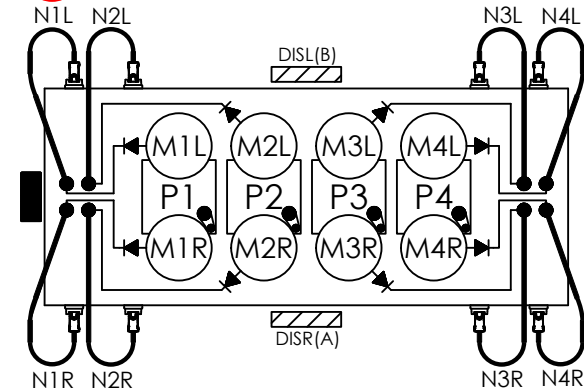
2 BMP4024.OHD



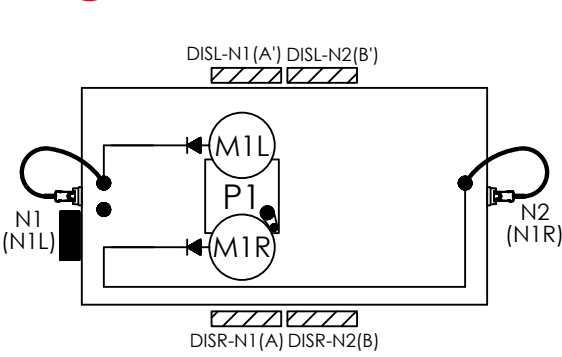
3 BMP4036.OHD



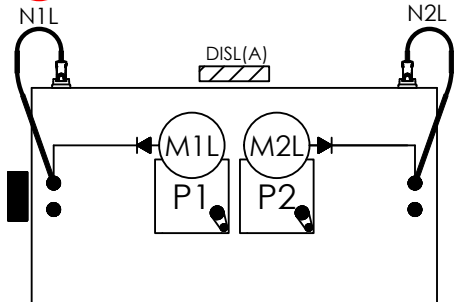
4 BMP4048.OHD



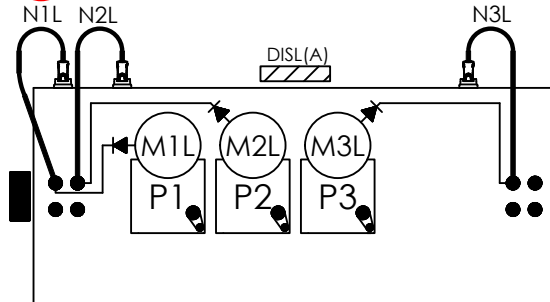
5 BMP4012.OHD-S



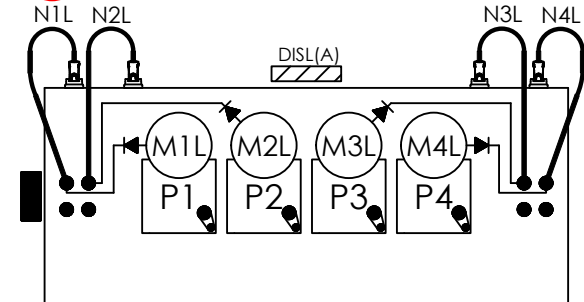
6 BMP4022.OHL



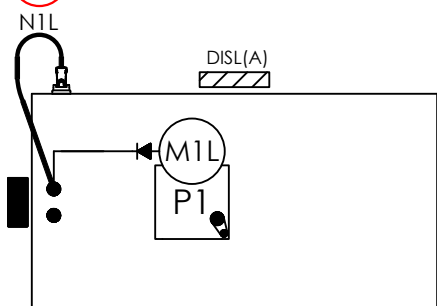
7 BMP4033.OHL



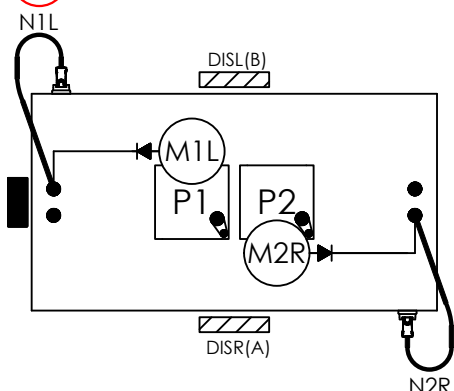
8 BMP4044.OHL



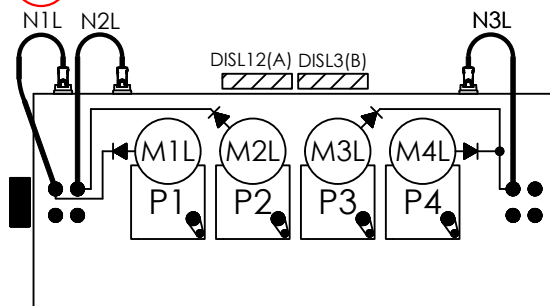
9 BMP4011.OHL



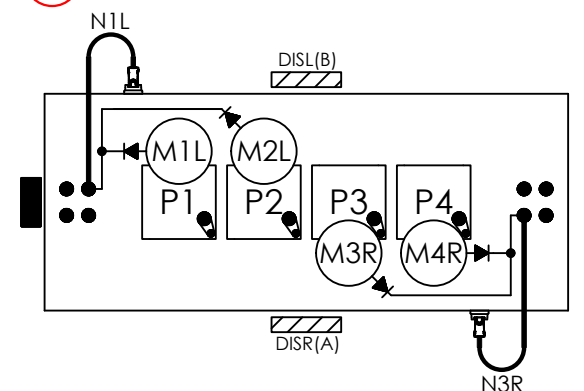
10 BMP4022.OHD



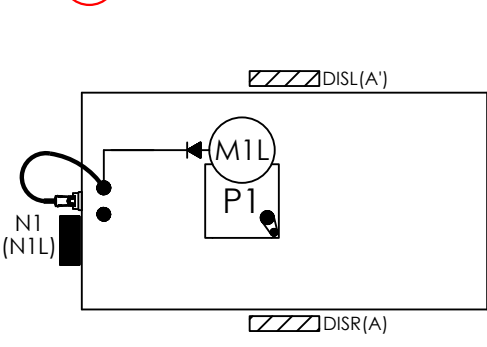
11 BMP4043.OHL/UH/H/H



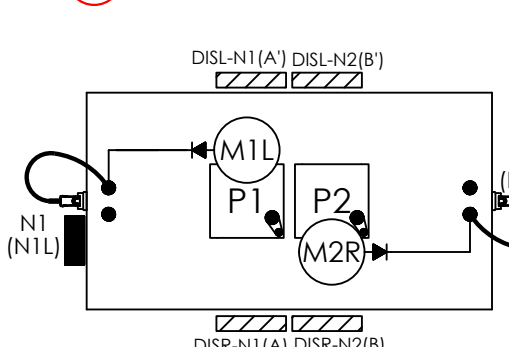
12 BMP4042.OHD/UH/UH



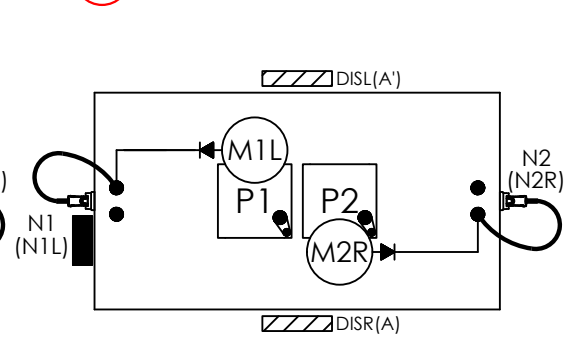
13 BMP4011.OHD-S



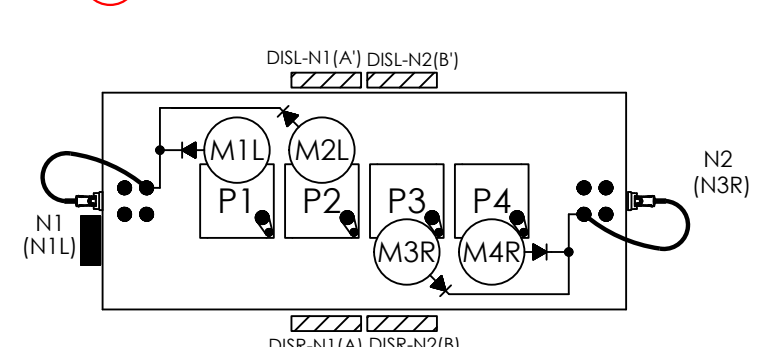
14 BMP4022.OHD-S



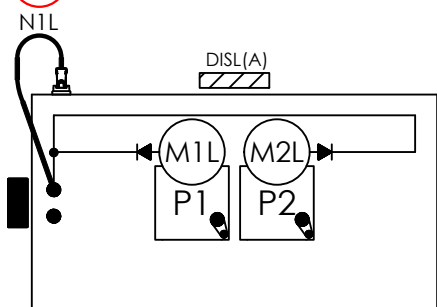
15 BMP4022.OHD-NC-S



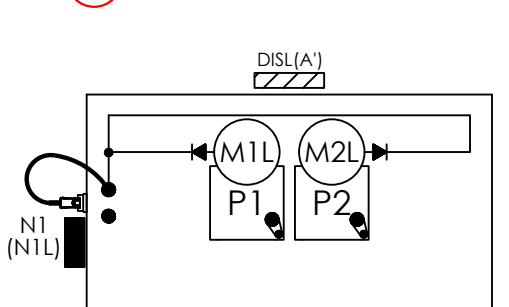
16 BMP4042.OHD/UH/UH-S



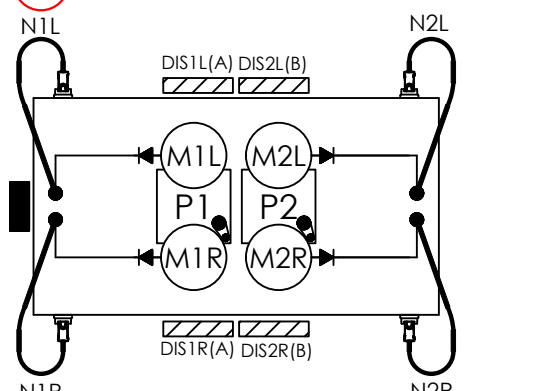
17 BMP4021.OHL/UH



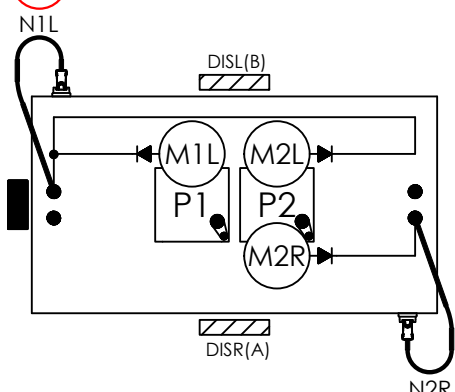
18 BMP4021.OHD/UH-S



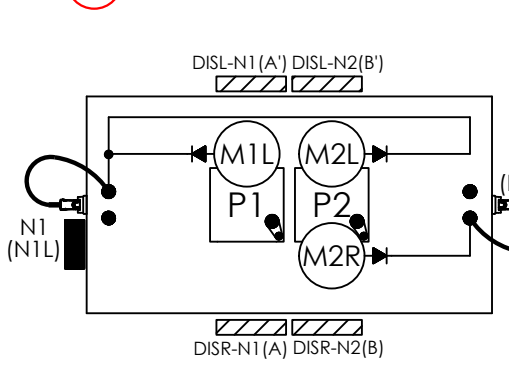
19 BMP4024.OHD-4C



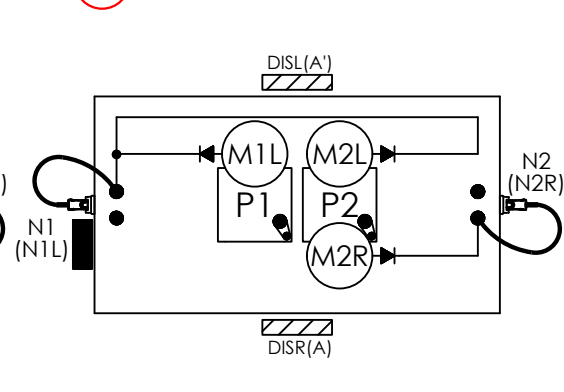
20 BMP4022.OHD/UH/H



21 BMP4022.OHD/UH/H-S



22 BMP4022.OHD/UH/H-NC-S



LEGEND:

- P1 Suction pump with pulleys position
- M1R Flow meter
- Electromagnetic valve
- N1R Nozzle (nozzle boot position)
- DISR(A) Display (A, B - Master, A', B' - Slave)
- Type label position
- S Side nozzle position (ISLAND)
- NC Non-simultaneous deliveries
- R / L Right side / Left side
- Hose and hose input (fitting)
- Connection of two pipes