



# Český metrologický institut

Notifikovaná osoba č 1383, Okružní 31  
638 00 Brno

## EC-TYPE EXAMINATION CERTIFICATE

Number: TCM 141/07 - 4492

Issued by: Český metrologický institut  
Okružní 31  
638 00 Brno  
Czech Republic

Notified Body No. 1383

In accordance with: point 3 of annex 2 to Government Order No. 464/2005 Coll. (annex B of the Directive 2004/22/EC) from 19 October 2005 that lays down technical requirements on measuring instruments and implements in Czech Republic Directive 2004/22/EC of the European Parliament and of the Council.

Applicant: TATSUNO-BENČ EUROPE a.s.  
Pražská 68  
678 01 Blansko  
Czech Republic

In respect of: AdBlue dispenser  
type: SHARK BMP 2xxx.S/AdB  
manufacturer: TATSUNO-BENČ EUROPE a.s.

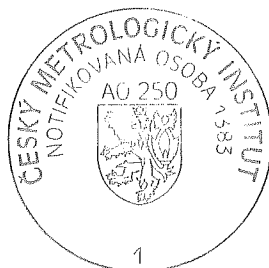
Liquids	AdBlue (32.5 % of urea, water and additives according to DIN 70070)
Accuracy class	0.5

Valid until: 16 January 2017

Document number: 0115-CS-A005-07

Description: Essential characteristics, approved conditions and special conditions, if any, are described in this certificate. This certificate contains 10 pages.

Date of issue: 17 January 2007



RNDr. Pavel Klenovský

Notified Body No.1383

## 1. Measuring device description

The SHARK BMP 2xxx.S/AdB AdBlue dispensers are destined for measurement of AdBlue (32.5 % of urea, water and additives according to DIN 70070) volumes as a legal measuring device in the sense of the Directive of the European Parliament and of the Council no. 2004/22/EC of measuring instruments, as amended and are used for the filling separate storage tanks of heavy-duty vehicles with reduction of NO<sub>x</sub> in exhaust gases of diesel engines SCR-technology (Selective Catalytic Reduction).

The SHARK BMP 2xxx.S/AdB AdBlue dispensers are intended for installation in centrally pumped system only; non-return valve had to be installed between pump and AdBlue dispenser.

The SHARK BMP 2xxx.S/AdB AdBlue dispensers with PDEVOL calculator should not to be used for direct selling to the public.

The SHARK BMP 2xxx.S/AdB AdBlue dispensers consist of an filter, FM-1022 measurement transducer, PDE electronic calculator, electronic or electromechanical totalizing indicating device, electromagnetic valve and house with delivery nozzle. There is internal heating to heat all hydraulic to above 0 °C. These AdBlue dispensers can be equipped with pre-setting device. The sight glass is not required to be installed.

The SHARK BMP 2xxx.S/AdB AdBlue dispensers could be connected into independent Point of Sale or Paying terminal, which do not influence metrology parameters of measuring system.

### 1.1. Measuring transducer

TATSUNO FM-1022 measuring transducer consists of a flow sensor with four pistons and cyclic volume 0.5 L, TATSUNO LTD. EK – 1025 two-channel photoelectric transducer with 50 pulses / revolution and adjustment device.

TATSUNO FM-1022 measuring transducer can be adjusted by varying of the strokes of one pair of pistons by the adjustment screw. The regulation is non-continual with steps 0.08 %. Maximum range of adjustment is about ± 1 %. Location of screw is protected by pin.

### 1.2. Calculator

PDE electronic calculator has three different models. Models PDEVOL can control 1 subsystem only, model PDEDUO can control 2 subsystems and model PDEMPD can control 10 subsystems maximally. PDEVOL calculator do not consist price indicating device.

This counter can be operating by buttons of IR module (remote control). For electronic calibration is necessary to change over value of number of pulses per dm<sup>3</sup>, witch is stored in memory of counter (parameter P 44). Access to electronic calibration is secured by switch SW1 (location OFF – left site) with sealing cover, alternatively in case of model PDEDUO by dip switch SW1-1 (location ON – up) with sealing cover.

### 1.3. Hose

ELAFLEX AdBlue DN 16; maximum length 5.1 m

### 1.4. Nozzle

ELAFLEX ZVA AdBlue



## 2. Basic technical data

Maximum flowrate $Q_{\max}$ [dm <sup>3</sup> /min]	40
Minimum flowrate $Q_{\min}$ [dm <sup>3</sup> /min]	4
Min. measured quantity MMQ [dm <sup>3</sup> ]	2
Maximum unit price (number of digits)	9999 (4)
Maximum price to pay (number of digits):	999999 (6)
Type of display:	Electronic
Software version:	3.34
Liquids	AdBlue (32.5 % of urea, water and additives according to DIN 70070)
Liquid temperature range	-10 to +30
Maximum pressure [MPa]	0.4
Accuracy class	0.5
Ambient temperature range [°C]	-25 to +55 -40 to +50 with additional internal heating
Mechanical class	M2
Electromagnetic class	E2

## 3. Test

Technical tests of the SHARK BMP 2xxx.S/AdB AdBlue dispensers were performed with conformity to International Recommendation OIML R 117 Measuring systems for liquids other than water and International Recommendation OIML D 11 General requirements for electronic measuring instruments, Test Report No. 6031-PZ-P020-06 from December 21, 2006.

## 4. The measuring device data

There are following data on the measurement transducer:

- Measuring device manufacturer and type
- Serial number and year of manufacture

There are following data on the electronic calculator:

- Measuring device manufacturer and type
- Serial number and year of manufacture

There are following data on the AdBlue dispenser:

- The "CE" marking and supplementary metrology marking
- Number of EC-type examination certificate
- Measuring device manufacturer and type
- Serial number and year of manufacture
- Accuracy class 0.5
- Minimum measured quantity (MMQ)
- Maximum flowrate ( $Q_{\max}$ )
- Minimum flowrate ( $Q_{\min}$ )
- Maximum pressure ( $P_{\max}$ )
- Liquids
- Liquid temperature range
- Ambient temperature range
- Mechanical class
- Electromagnetic class



There are following data on each face of indicating device:

- Near price indication unit €
- Near volume indication unit ℓ or L or word Litre
- Near unit price indication unit € / L or € / Litre
- information regarding the minimum measured quantity (MMQ)

## 5. Sealing

In case of PDE calculator model PDEMPD the switch SW1 has to be set to position OFF (left site), in case of PDE calculator model PDEDUO the dip switch SW1-1 has to be set to position ON (up) and AdBlue dispenser has to be sealed after the tests with positive result:

On the measurement transducer:

- |  |    |
|--|----|
| a) Conjunction body of transducer with pistons covers                    | 1× |
| b) Conjunction pin of adjustment device with piston cover and data plate | 1× |
| c) Conjunction upper cover with transducer or counter                    | 1× |

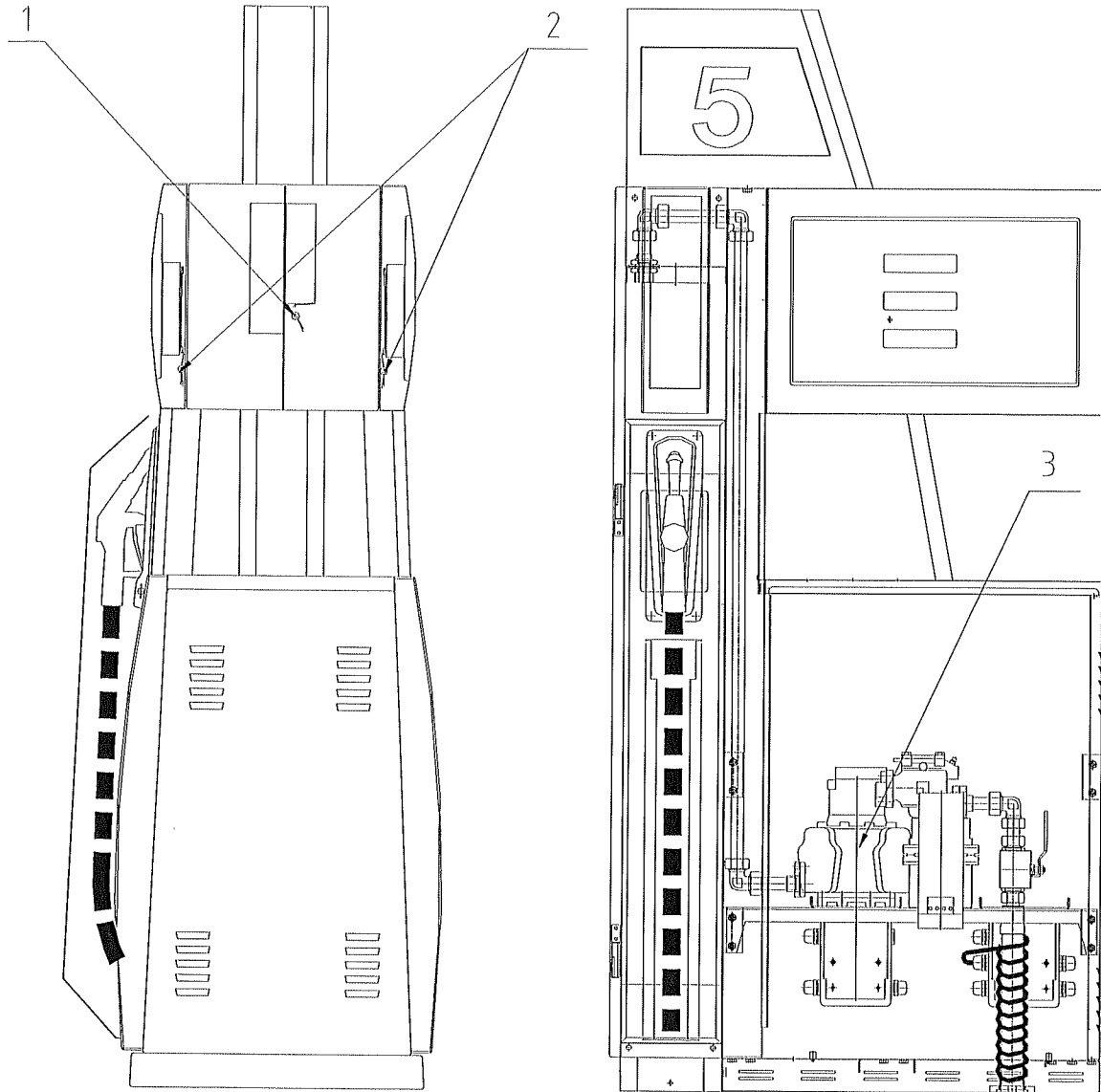
On the calculator:

- |  |    |
|--|----|
| d) Not dissembling of calculator and cover of SW1 switch | 1× |
| e) Cover of totalizing indicating device                 | 1× |
| f) The data plate of calculator                          | 1× |

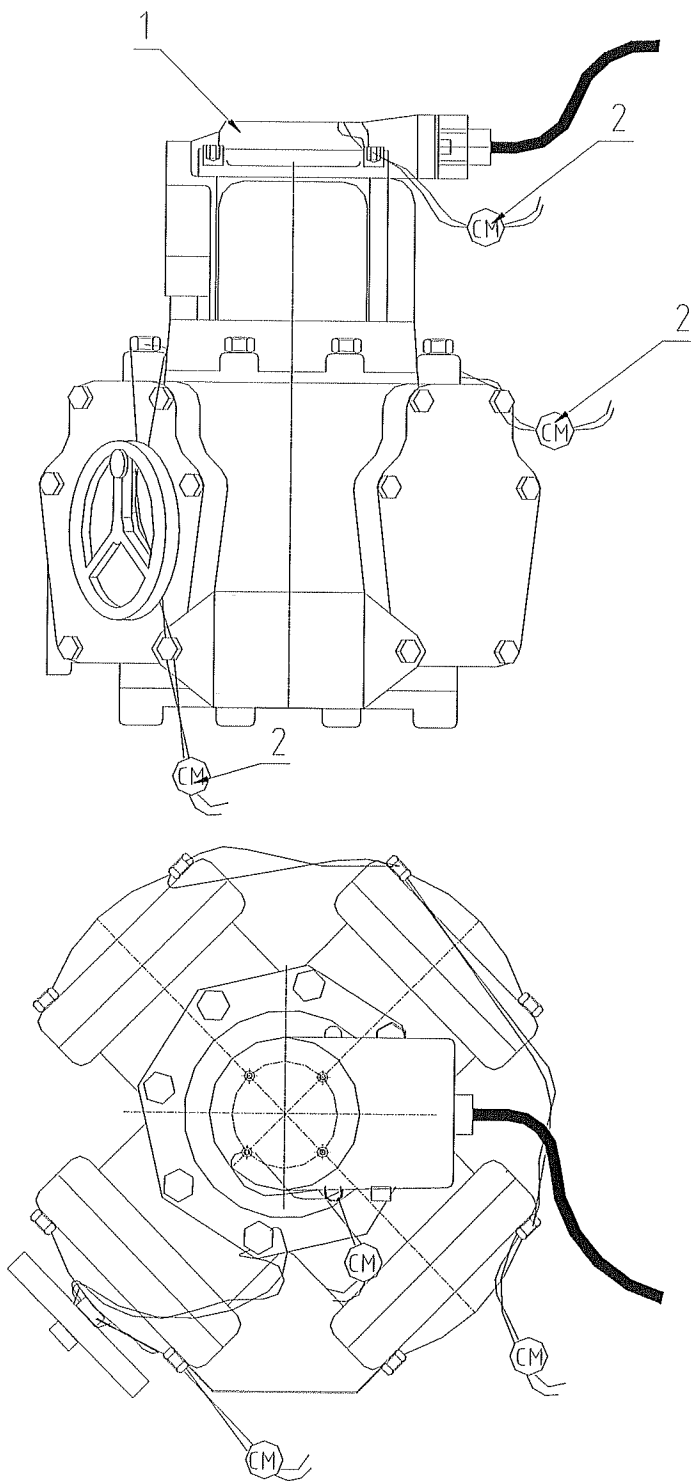
On the AdBlue dispenser:

- |                                |    |
|--------------------------------|----|
| g) The data plate of dispenser | 1× |
|--------------------------------|----|

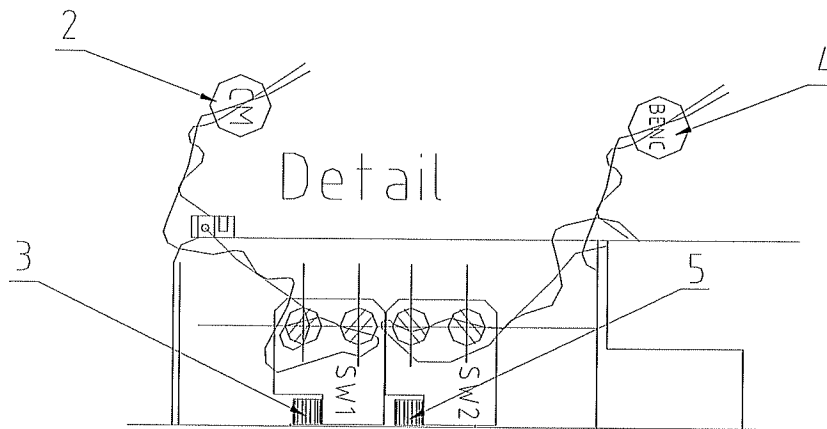
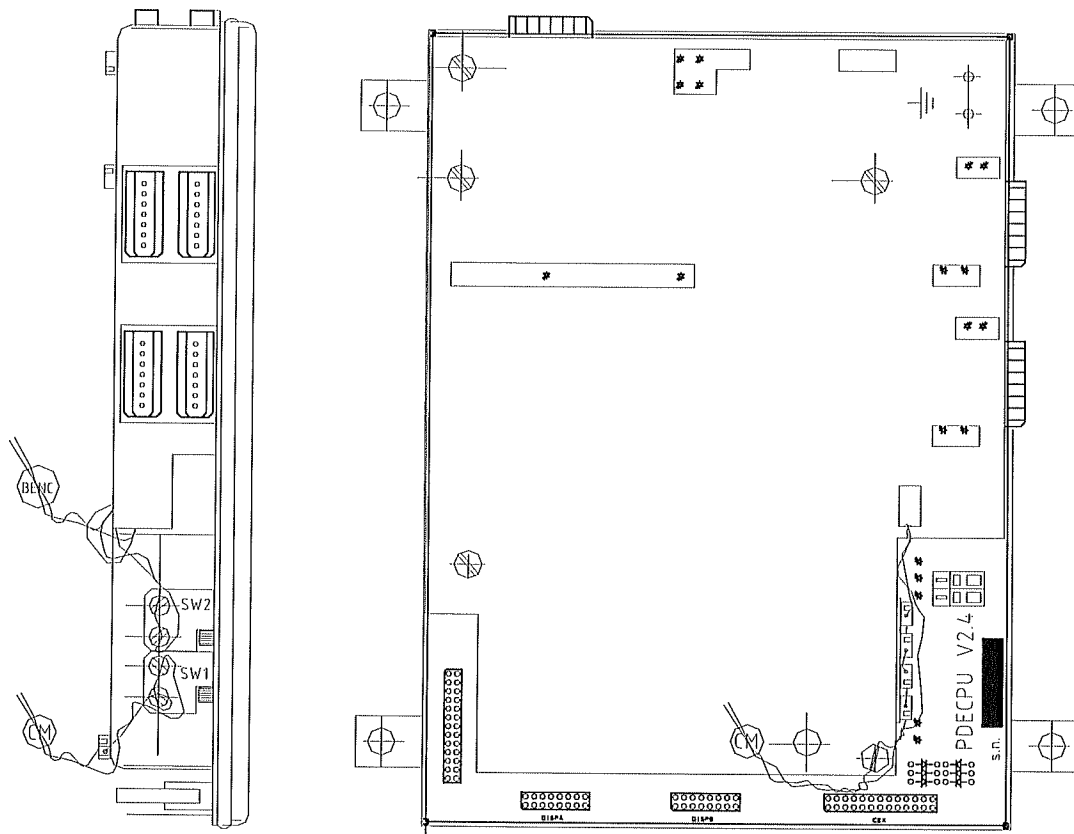
Picture No. 1: The sealing of SHARK BMP 2xxx.S/AdB AdB dispenser



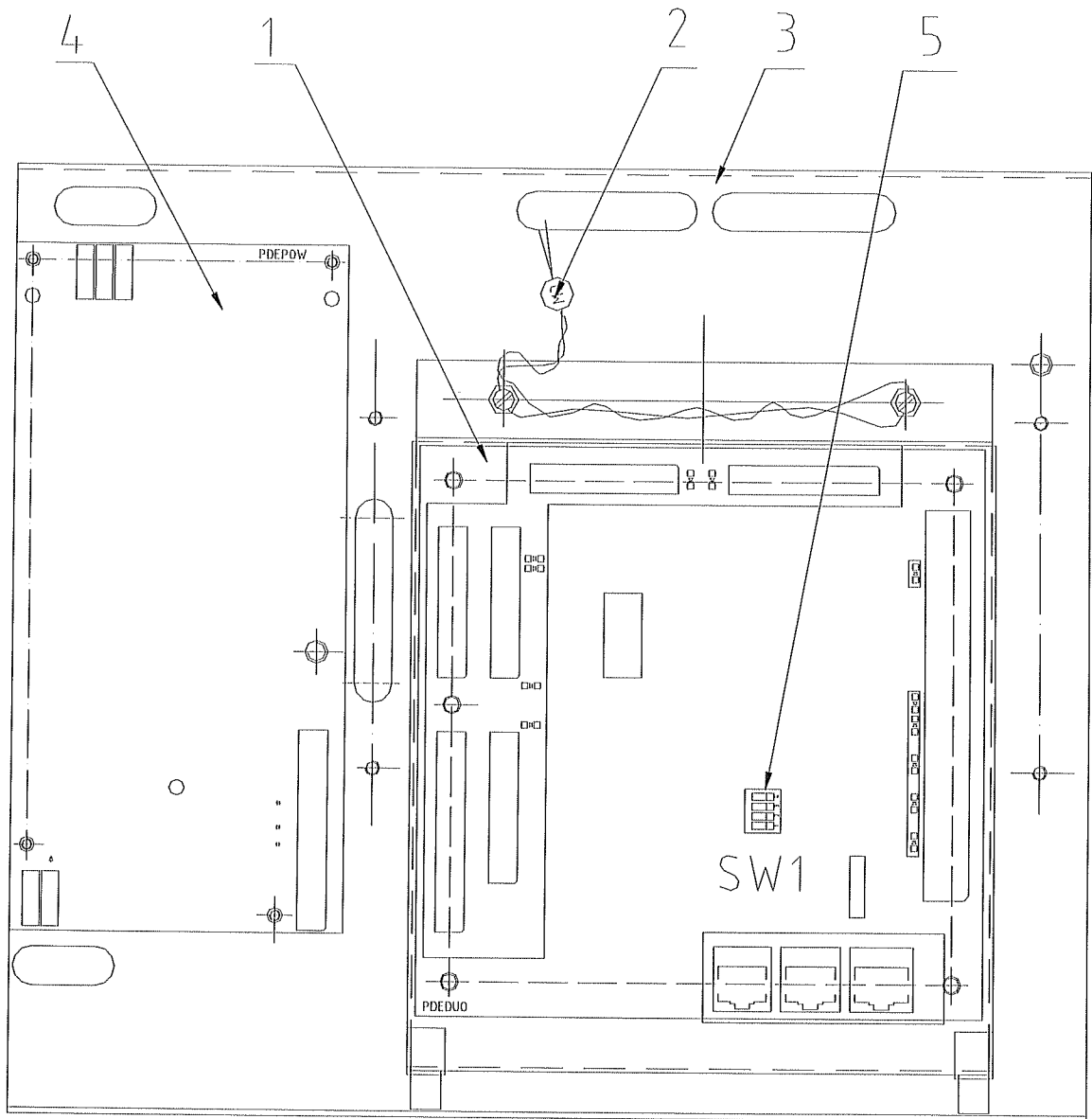
Picture No. 2: The sealing of FM-1022 measuring transducer



Picture No. 3: The sealing of PDEMPD calculator

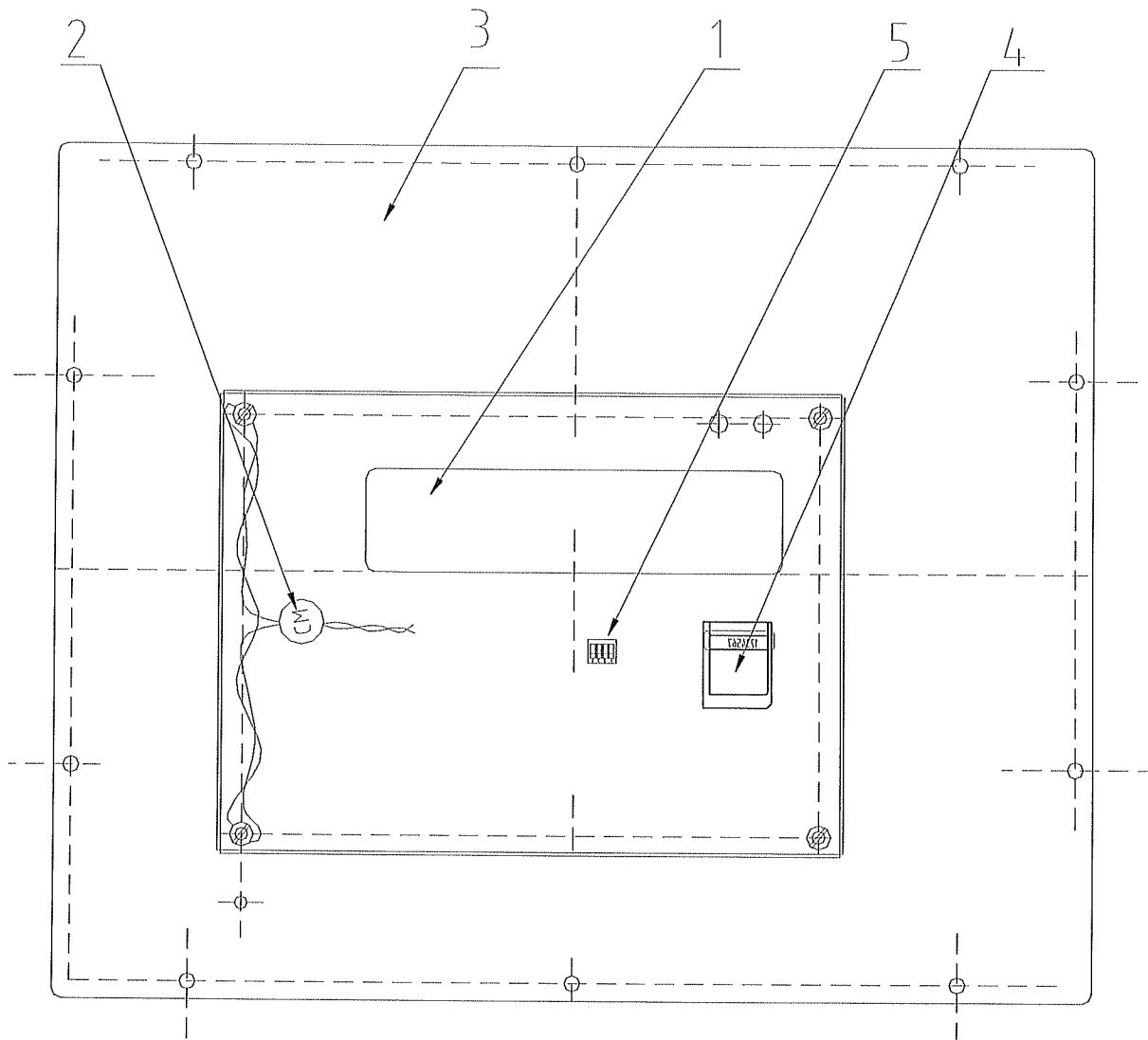


Picture No. 4: The sealing of PDEDUO calculator





Picture No. 5: The sealing of PDEVOL calculator



Picture No. 6: The sealing of totalizing indicating device

