



TATSUNO EUROPE

**INSTALLATION INSTRUCTIONS FOR DISPENSERS
SHARK BMP500 /LPG**

Appendix 1 - Foundation plans



Document:	Installation instructions for dispensers SHARK LPG, Appendix 1 - Foundation plans
File:	IN021-EN_01_SharkLPGFoundPlansRev00
Revision & Date:	Revision 00, February 6th, 2012
Pages:	8 (including cover)
Created by:	Ing. Milan Berka
TATSUNO EUROPE a.s., Pražská 2325/68, 678 01 Blansko, Czech Republic, tel.+420 516 428411, http://www.tatsuno-europe.com	

© TATSUNO EUROPE a.s.
Pražská 2325/68 • 67801 Blansko
Czech republic
Tel: +420 516428411 • Fax: +420 516428410
e-mail: info@tatsuno-europe.com, <http://www.tatsuno-europe.com>

 **TATSUNO** EUROPE

© **Copyright**

This manual and its parts must not be copied without the consent of

TATSUNO EUROPE a.s.

CONTENTS

CONTENTS	3
INTRODUCTION	3
APPENDIX 1. 1 - FOUNDATION PLANS OF DISPENSERS SERIES SHARK BMP500/LPG	5
APPENDIX 1.1.1. FOUNDATION PLAN OF DISPENSER SHARK BMP511.SL /LPG.....	5
APPENDIX 1.1.2. FOUNDATION PLAN OF DISPENSER SHARK BMP522.SXD /LPG.....	6
APPENDIX 1.1.3. FOUNDATION PLAN OF DISPENSER SHARK BMP512.SXD /LPG.....	7

INTRODUCTION

This attachment contains the foundation schemes for all variants of the SHARK BMP500/LPG dispensers.

At the time of publication, the content of this attachment was accurate. The producer reserves the right to change the technical parameters of the appliance or its attributes without a written notice, since the technology is constantly improving and developing.

All rights reserved. No part of the manual may be reproduced or transmitted without a written consent of the company TATSUNO EUROPE a.s.

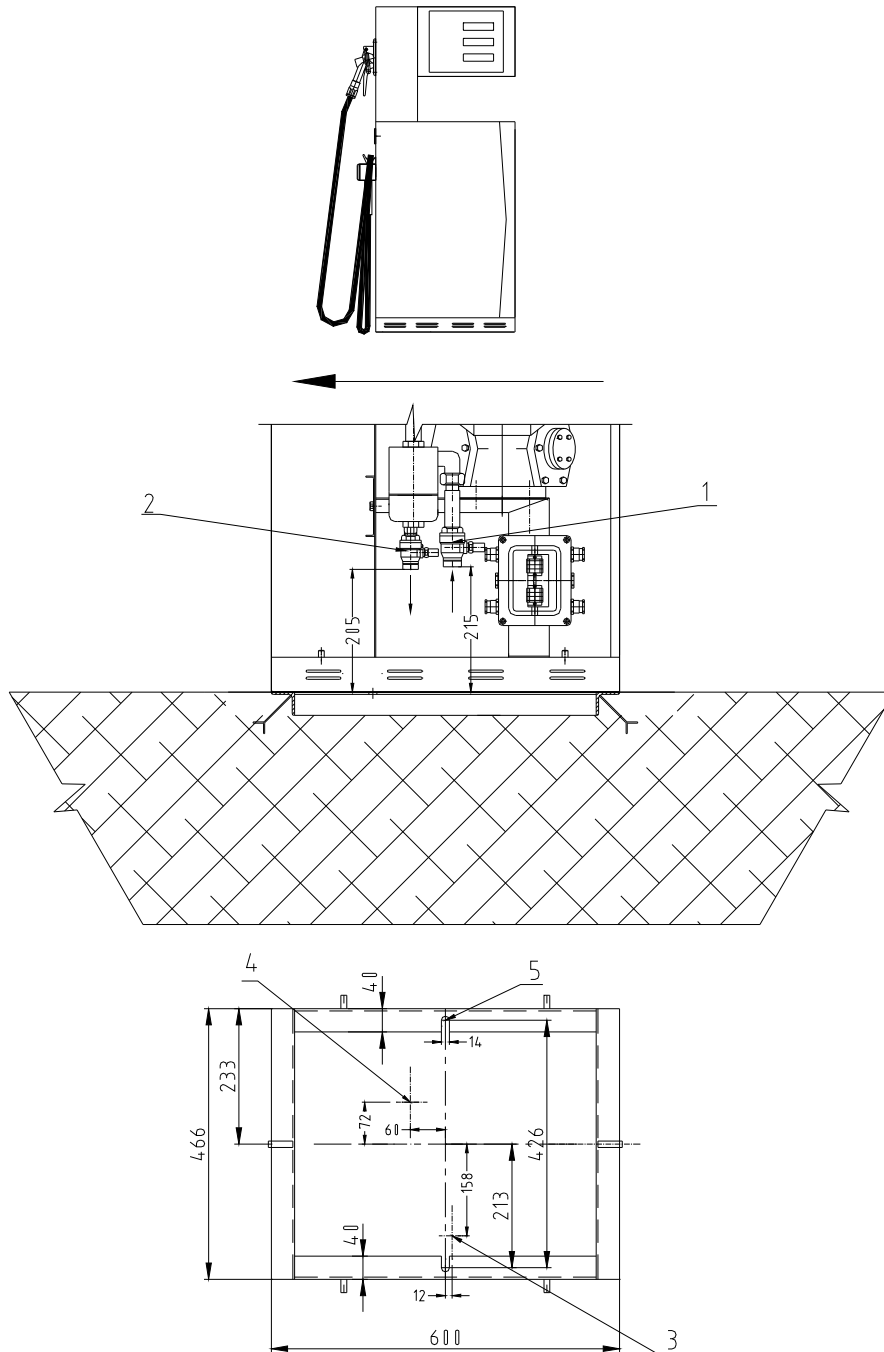
Document revisions

Revision no. / Date	Changes	Prepared by
00 / 6. 2. 2012	Basic version of the document	Ing. Milan Berka

APPENDIX 1. 1 - FOUNDATION PLANS OF DISPENSERS SERIES SHARK BMP500/LPG

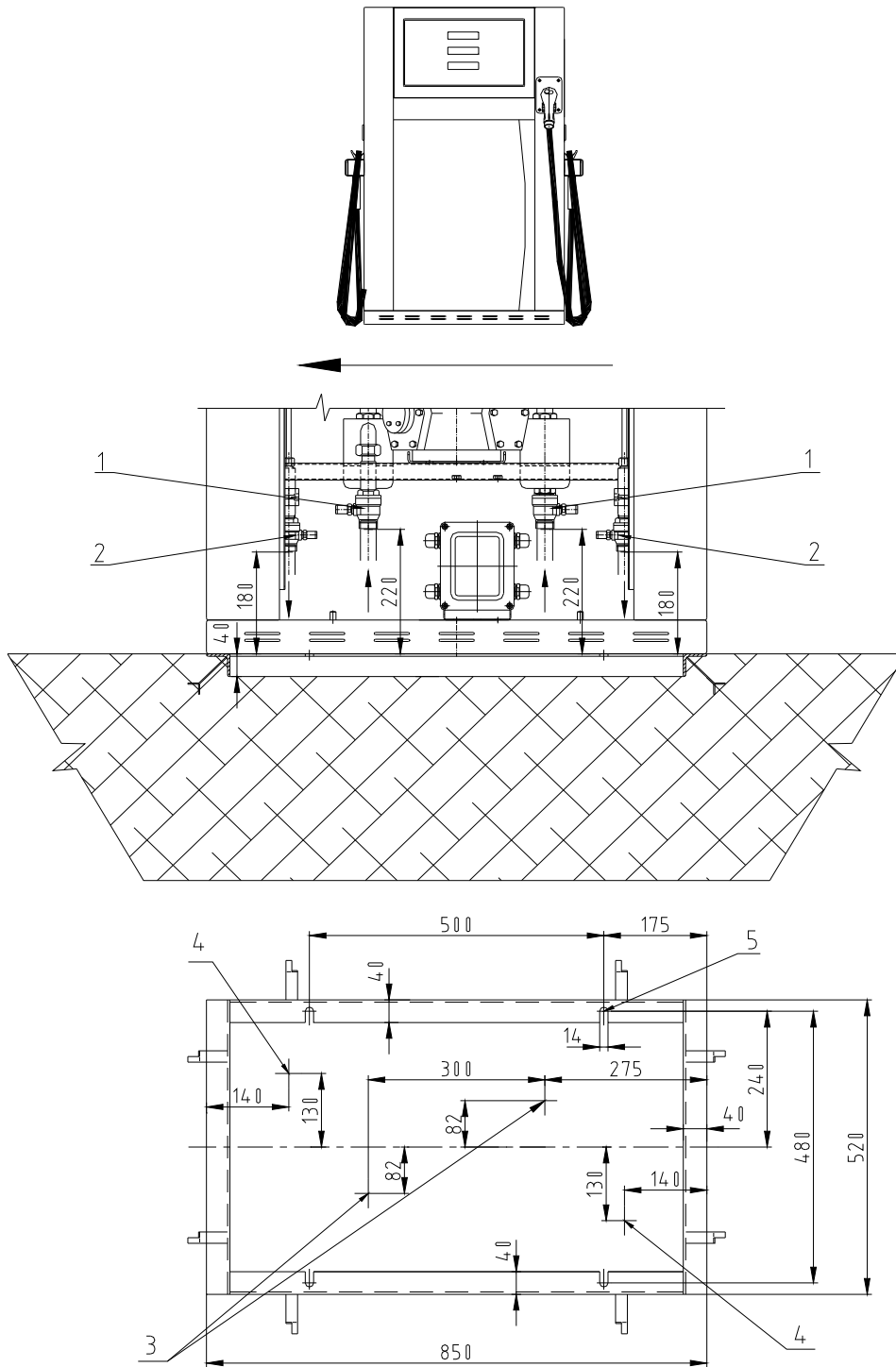
APPENDIX 1.1.1. FOUNDATION PLAN OF DISPENSER SHARK BMP511.SL /LPG

Plan is valid for models SHARK BMP511.SR and SHARK BMP511.SD



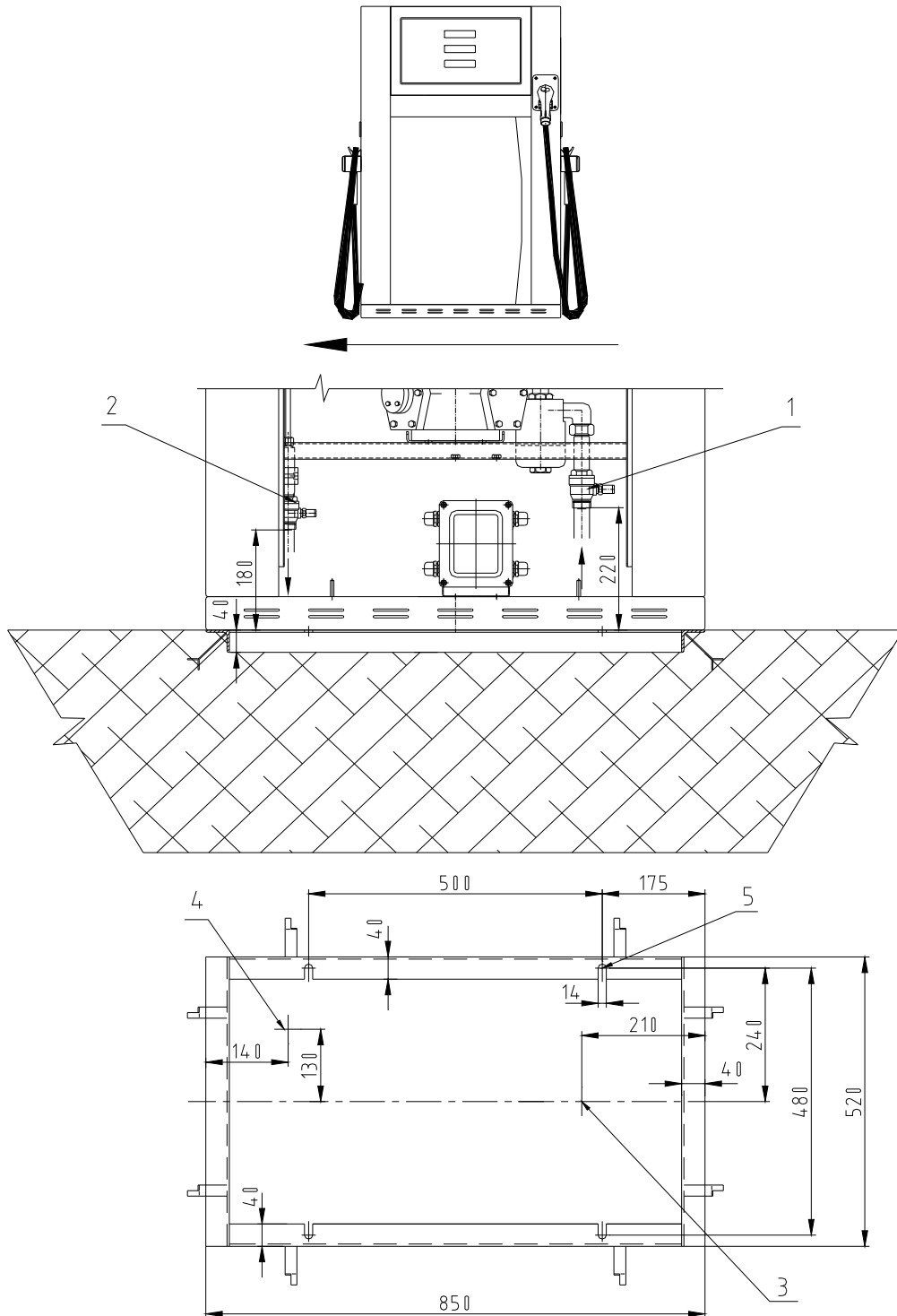
Pos.	Description	Pos.	Description
1	Input Pipe terminated by LPG Ball Valve with inner thread G ¾"	3	Input Pipe Axis (liquid phase)
2	Backward Pipe terminated by LPG Ball Valve with inner thread G ½"	4	Backward Pipe Axis (vapour phase)
⇐	Recommended car arrival direction	5	Dispenser Mount Holes

APPENDIX 1.1.2. FOUNDATION PLAN OF DISPENSER SHARK BMP522.SXD /LPG



Pos.	Description	Pos.	Description
1	Input Pipe terminated by LPG Ball Valve with inner thread G 3/4"	3	Input Pipe Axis (liquid phase)
2	Backward Pipe terminated by LPG Ball Valve with inner thread G 1/2"	4	Backward Pipe Axis (vapour phase)
↔	Recommended car arrival direction	5	Dispenser Mount Holes

APPENDIX 1.1.3. FOUNDATION PLAN OF DISPENSER SHARK BMP512.SXD /LPG



Pos.	Description	Pos.	Description
1	Input Pipe terminated by LPG Ball Valve with inner thread G 3/4"	3	Input Pipe Axis (liquid phase)
2	Backward Pipe terminated by LPG Ball Valve with inner thread G 1/2"	4	Backward Pipe Axis (vapour phase)
↔	Recommended car arrival direction	5	Dispenser Mount Holes

